

PORTABLE LINE BORING
MACHINES

SC1

from \varnothing 42 mm to \varnothing 400 mm (1,65" - 15,75")



The **Supercombinata SC1**, thanks to its standard equipment, is suitable to perform internal **line boring** and internal and external **overlay welding** within a working range from **Ø 42 mm** to **Ø 400 mm**. It's suitable for drilling and tapping. By means of **extra kits**, it is suitable to perform external line boring, facing of orthogonal planes and creation of circlips grooves, threading. With additional **accessories**, the Supercombinata can be adapted to many different needs of our customers.

TECHNICAL SPECIFICATIONS

DIAMETERS

| | |
|------------------------------|----------------|
| Boring bar diameter: | ø 40 x 2200 mm |
| In line boring: | ø 42 – 400 mm |
| External line boring: | Extra kit |
| Internal welding: | ø 42 – 400 mm |
| External welding: | ø 42 – 400 mm |
| Drilling: | Suitable |
| Tapping: | Suitable |
| Threading: | Extra kit |
| Facing of orthogonal planes: | Extra kit |

ROTATION MOTOR

| | |
|---------------------------|--------------------------|
| AC motor: | Single phase |
| Power at rated speed: | 1800 W |
| Gearbox: | 4-speed |
| Output torque at the bar: | Up to 400 Nm with 95 rpm |

FEED MOTOR

| | |
|-----------------------|-------------------|
| Gear motor: | DC |
| Power at rated speed: | 90 W |
| Max Speed: | 11 rpm |
| Feed system: | Electromechanical |
| Feed: | Manual/Automatic |

WELDING TECHNOLOGY

| | |
|------------------|--|
| Spiral: | Continuous with variable step |
| Welding machine: | Compatible with MIG/MAG welder with EURO connector |

LONGITUDINAL STROKE

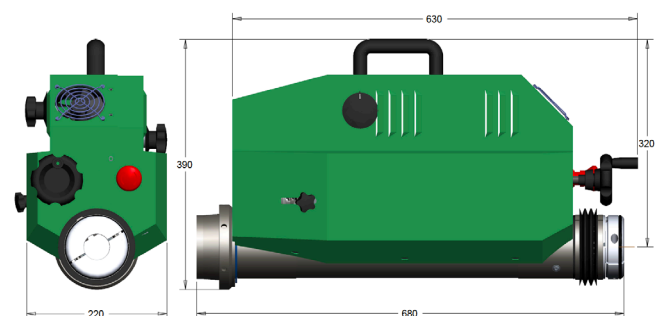
| | |
|------------|-------------------|
| Unlimited: | With 350 mm pitch |
|------------|-------------------|

ELECTRONIC CONTROL PANEL

| | |
|--------------------------|----------------------|
| Voltage: | 220/240 V (50/60 Hz) |
| Main switch: | Available |
| Emergency switch: | Available |
| Inverter feed: | RH/LH |
| Inverter rotation: | CW/CCW |
| Speed regulator: | Rotation/Feed |
| Electrical absorption: | 2000 W |
| Control panel 110/120 V: | Upon request |
| Digital control panel: | Upon request |

DIMENSIONS

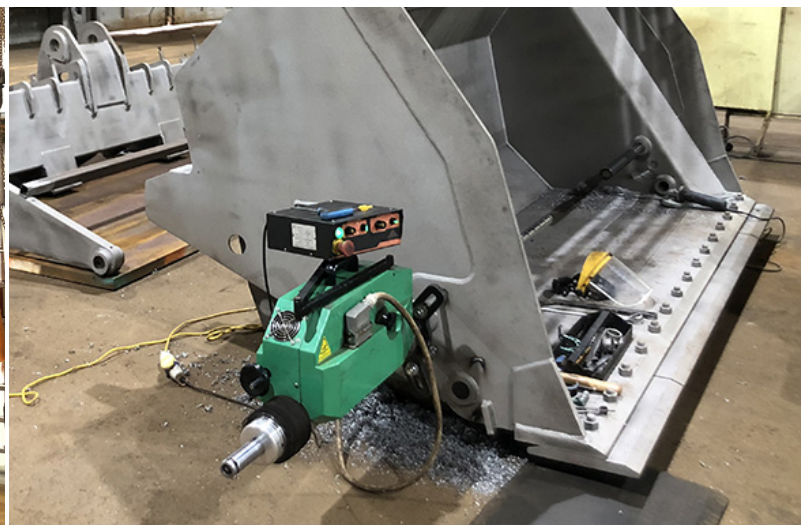
| | |
|----------------------|--------|
| Length: | 680 mm |
| Width: | 240 mm |
| Height: | 380 mm |
| Weight central unit: | 36 kg |



STANDARD EQUIPMENT

| | |
|-------|--------------------------------------|
| QTY 1 | MAIN UNIT |
| QTY 1 | BORING MACHINE STAND |
| QTY 1 | ELECTRONIC CONTROL PANEL |
| QTY 1 | CONTROL PANEL HOLDER |
| QTY 1 | CABLE CONTROL PANEL/MACHINE |
| QTY 1 | POWER CABLE 220V |
| QTY 1 | BORING BAR Ø 40X2200 MM |
| QTY 1 | BORING BAR Ø 40X1100 MM |
| QTY 1 | BORING BAR EXTENSION 520 MM |
| QTY 1 | PIVOT |
| QTY 1 | TOOL HOLDER FOR BORING D. 100-400 MM |
| QTY 1 | SPECIAL TOOL HOLDER LH Ø 12X40 MM |
| QTY 1 | TOOL HOLDER LH Ø 12X40 MM |
| QTY 1 | TOOL HOLDER LH Ø 12X60 MM |
| QTY 1 | TOOL HOLDER RH Ø 12X100 MM |
| QTY 1 | BOX WITH 10 CUTTING INSERTS |
| QTY 2 | MAIN BAR SUPPORT |
| QTY 2 | ADDITIONAL SUPPORT |

| | |
|--------|-------------------------------------|
| QTY 12 | BRACKET FOR FLANGES |
| QTY 1 | TELESCOPIC SHAFT FOR WELDING |
| QTY 5 | DIFFUSOR EXTENSION 35 MM |
| QTY 1 | DIFFUSOR EXTENSION 100 MM |
| QTY 4 | SHORT GAS NOZZLE |
| QTY 4 | LONG GAS NOZZLE |
| QTY 5 | SHORT CONTACT TIP Ø 0,8 MM WIRE |
| QTY 5 | LONG CONTACT TIP Ø 0,8 MM WIRE |
| QTY 1 | O-RING FOR WELDING SHAFT 100X5 MM |
| QTY 1 | TERMINAL LANCE FOR EXTERNAL WELDING |
| QTY 1 | CENTRING SYSTEM FOR THROUGH HOLES |
| QTY 1 | CENTRING SYSTEM FOR BLIND HOLES |
| QTY 1 | TELESCOPIC GAUGE UP TO Ø 400 MM |
| QTY 1 | DIAL GAUGE |
| QTY 1 | DIAL GAUGE SUPPORT |
| QTY 1 | SET OF WRENCHES |
| QTY 1 | SCREWS AND BOLTS |



• EXTRA KITS

BORING REDUCTION

| | |
|----------|------------------------------|
| KEP00187 | Ø 22 - 44 mm (0,87" - 1,73") |
| KEP00188 | Ø 32 - 70 mm (1,26" - 2,76") |

FACING

| | |
|----------|--------------------------------|
| KES00186 | Ø 48 - 255 mm (1,89" - 10,04") |
| KES00200 | Ø 56 - 400 mm (2,20" - 15,75") |

INTERNAL THREADING

| | |
|----------|---------------------------------|
| KFL00928 | Ø 120 - 350 mm (4,72" - 13,78") |
|----------|---------------------------------|

OD MACHINING

| | |
|----------|---|
| KEL00202 | Ø 100 - 200 mm - D. 200 mm (3,94" - 7,88") |
| KEL00203 | Ø 150 - 300 mm - D. 300 mm (5,90" - 11,81") |

BIG DIAMETERS

| | |
|----------|----------------------------------|
| KED00180 | Ø 400 - 600 mm (15,75" - 23,62") |
|----------|----------------------------------|

• ACCESSORIES

| | |
|----------|---------------------------------------|
| AE003017 | BORING BAR Ø 40X3000 MM |
| AE000487 | EXTERNAL JOINT FOR BORING BAR Ø 40 MM |
| AE000490 | INTERNAL JOINT FOR BORING BAR Ø 40 MM |
| AE030015 | CAM SYSTEM |
| GC375C | INTERNAL SUPPORT D. 200-300 MM |
| GC365C | SET OF 2 CENTRING CONES D. 60-105 MM |
| SG00127 | TERMINAL LANCE D. 30-50 MM |
| COT90201 | LONG CONTACT TIP Ø 1,0 MM WIRE |
| COT90202 | SHORT CONTACT TIP Ø 1,0 MM WIRE |



Elsa Srl
Località La Petrizia SS 106
88050 Sellia Marina (CZ) - Italia
Tel: (+39) 0961 962854
Fax: (+39) 0961 968716
info@elsasrl.com

www.elsasrl.com

EN

SUPERCOMBINATA SC1